



## Mark the future

*Designed in UK, Serving the World*

UKCM known as UK Coding & Marking Co., Ltd. is a UK invested coding solution provider with headquarter based in UK. Started from 1998, we are the leading coding supplier for parts and consumables with our R&D team in Europe who are coding pioneers from many well-known brands.

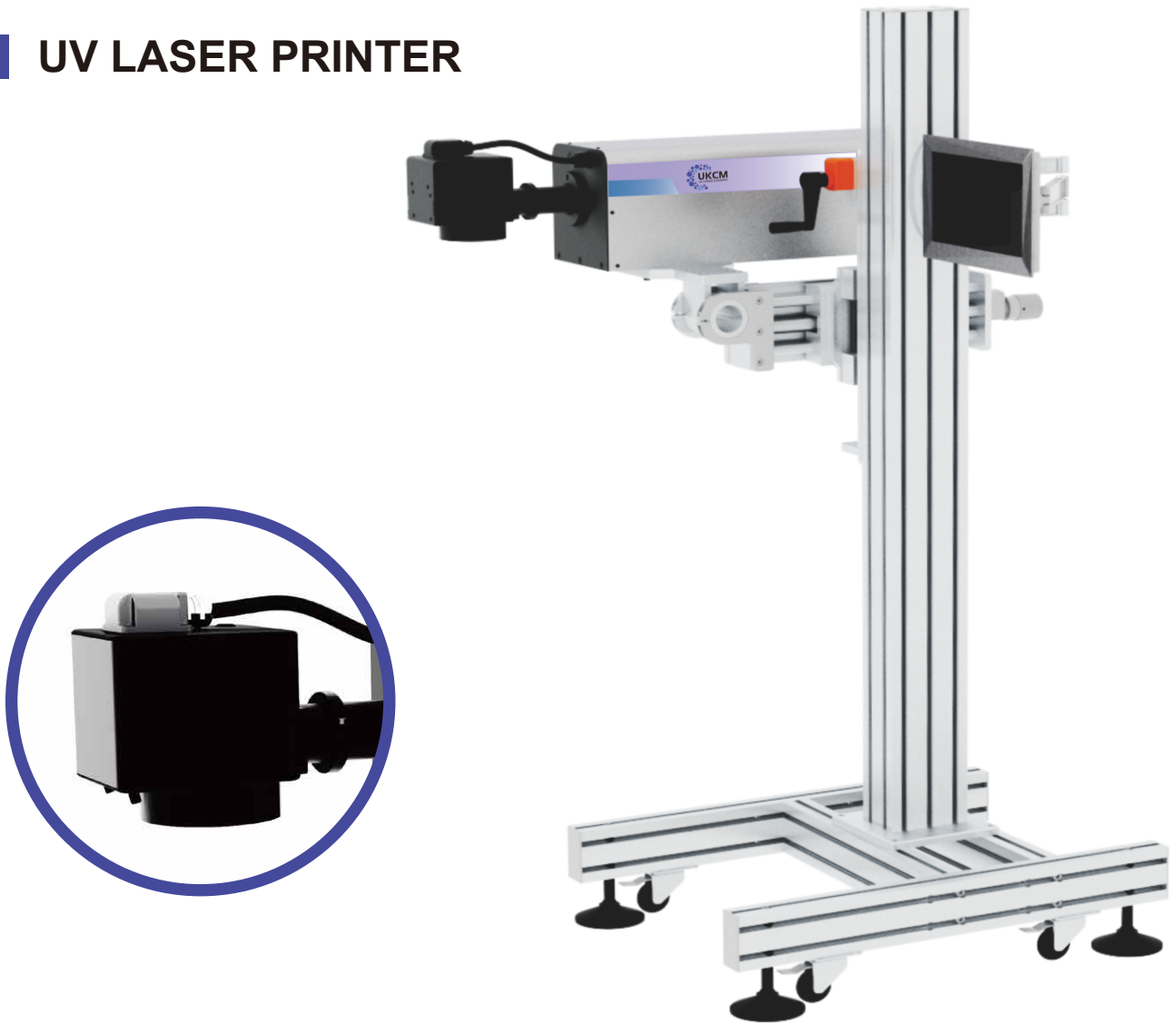
Going to the new Century, our team started the machine designing and manufacturing and now covers CIJ, TIJ, LASER, DOD, parts and consumables sections. With headquarter in UK and designing team members in EU and US, we invested a few subsidiaries in Hong Kong and Mainland of PRC for assembling, logistics and after sales. We have two main sections known as inkjet team for all inkjet related products and laser plant for laser technology products. Covering 3 plants sprayed in different regions which boasting their abundance of related supply chains, we have also and offices for handing orders and logistics in Shanghai and Hong Kong.

With Europe technology and our dedications in sharpening the supply chains and SOP, we are able to serve a variety of coding clients with satisfactions. Till now, we are already equipped with all range of coding solutions in machines, parts and consumables. We aim to bring our partners with best ownership products and extraordinarily great services thus making them contribute to the development of global track and trace development.

# UKCM

UV LASER PRINTER

## UV LASER PRINTER



### ADVANTAGE

- High performance long-life time laser source increases uptime significantly
- High speed digital galvanometer system to ensure high speed and accuracy
- Smaller spot size and concentrated energy to handle difficult materials and complex marking requirements
- Air-cooled laser sources and no wearing parts requires no additional maintenance
- Optimized vector calculation logic for more precise and efficient control of lines
- Flexible integrated solution with multiple standard beam transmission options

## UV LASER PRINTER

PARAMETER TABLE : KU103 KU105 KU110

<b>characteristic</b>	Machine material	All aluminum sandblasting oxidation
	Laser	The service life is more than 20000-30000 hours
	Laser wavelength	355nm
	output power	3W(KU103) 5W(KU105) 10W(KU110)
	Marking speed	≤12000mm/s
	controller	10.2 inch touch controller
	Cooling system	Air cooling or water cooling
<b>parameter</b>	Focus lens	160mm
	Minimum linewidth	0.01mm
	Repetition accuracy	0.001mm
	Marking range	110mm×110mm(optional)
	Positioning mode	Blue light indication
	Number of rows	Any line within the marking range
	Production line speed	0-350m(depending on the material)
<b>Software</b>	Multilingual	English, Spanish, German, Chinese, Russian, Arabic, etc
	jurisdiction	Multi user management authority
	operating system	Linux system
	Inkjet mode	Static, analog, encoder
	Reserved signal	Start, print status, finish, fault
	data protection	With power failure data protection energy
	monitor	Provide overspeed alarm function
	De crossing	Automatic removal of intersections
Coding software	Single and double machine code sending	
<b>Support type</b>	typeface	Chinese and English, numbers, traditional, etc
	file format	BMP/DXF/HPGL/JPEG/PLT
	bar code	CODE39、CODE128、CODE126、QR
<b>Servicing parameters</b>	Power Supply	AC/220V/50Hz
	Power consumption	800W
	Net weight of machine	35KG (3W/5W) 40KG(10W)
	Overall dimension	nose: 687mmX176mmX176mm Control box: 403mmX320mmX159mm
<b>environment</b>	requirement	External temperature0℃ -45℃; humidity≤95

# UKCM

UV LASER PRINTER

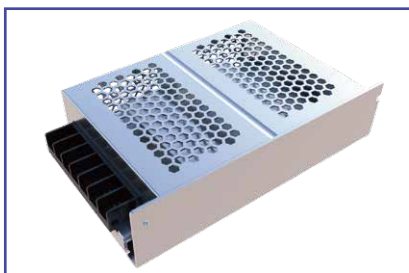
## UV LASER PRINTER



## PRODUCT DISPLAY



Top brand laser sources, high performance and long lifetime



MW high quality power supply is the best choice for laser



Plugs we all adopt aviation levels to ensure zero shutdown



Sanyang fans adopted to protect whole systems from high-temp keeping machine running smoothly in harsh temperatures



galvanometer adopt top brands ensuring high speed and accuracy to extreme level



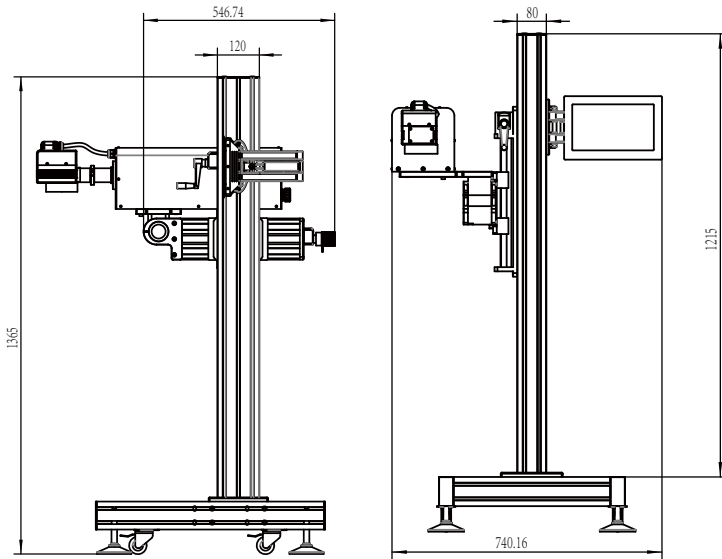
High performance long-life time laser source increases uptime significantly

# UKCM

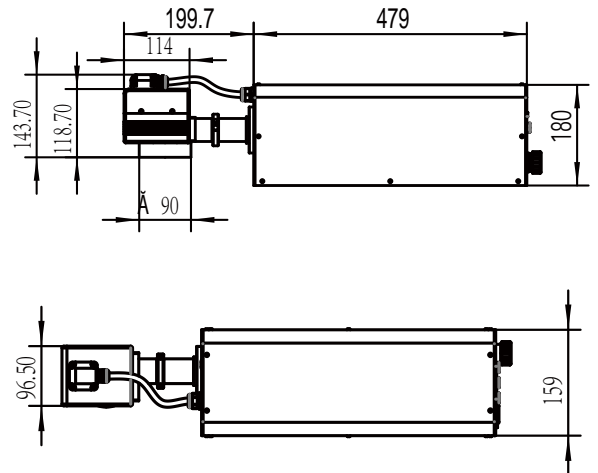
UV LASER PRINTER

## UV LASER PRINTER

Marking software window



Marking software window



## Samples

